

AFTERCARE INSTRUCTIONS

Excessive exposure to water will deteriorate the furniture. Wipe away any water splashes or condensation after use.

All bathrooms should be well ventilated, if needed, with a suitable extractor fan.

Clean with a soft damp cloth only.

Use a wax free polish if one must be used.

All electrical components are IP44 rated.

Do not allow water to come into contact with the electrical components.

CUSTOMER SERVICE

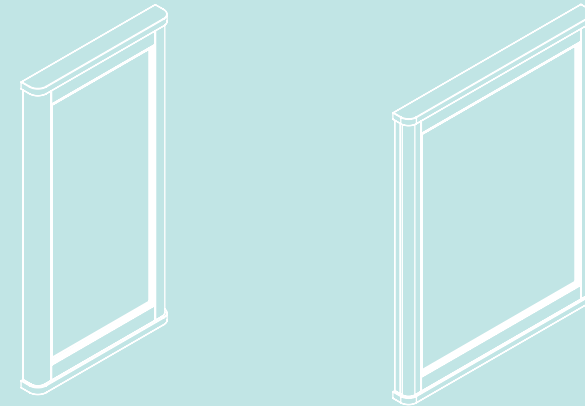
t: +44(0)208 686 5100
e: technical@saneux.com

4 Imperial Way
Croydon CR0 4RR

www.saneux.com

SOFIA

INSTALLATION INSTRUCTIONS



SO040M - SO060M

saneux

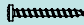

REQUIREMENTS

Before drilling, ensure there are no hidden cables or pipes in the wall. Throughout the entirety of the installation process, make sure that the domestic electrical mains supply to which the product is being connected is turned off.

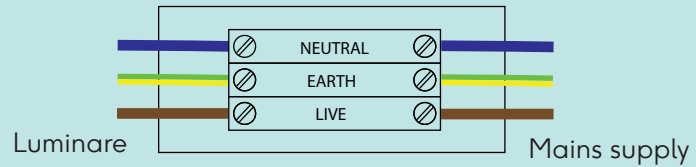
All electrical bathroom products should be fitted by a qualified electrician.

This product is only suitable for the 'Outside zone' indicated in the image below.

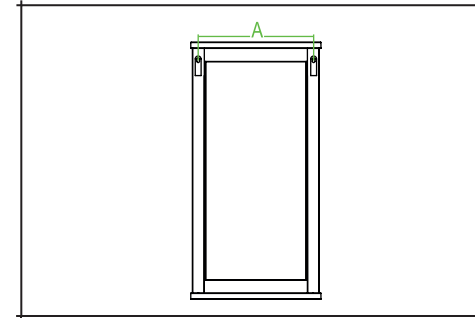
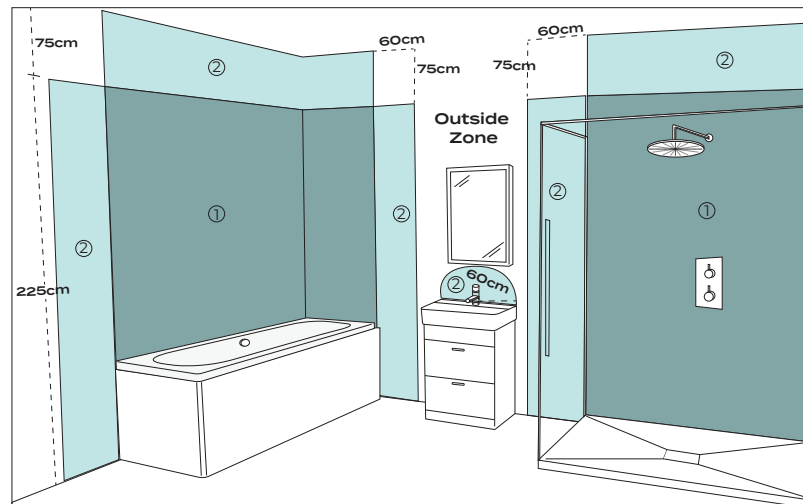
COMPONENTS

-  x6 Ø4 x 42mm Screw
-  x6 Ø7.5 x 35mm Wall plug

WIRING DIAGRAM

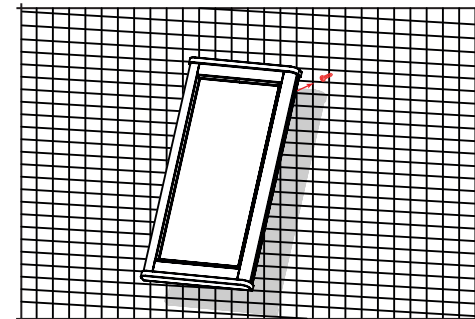
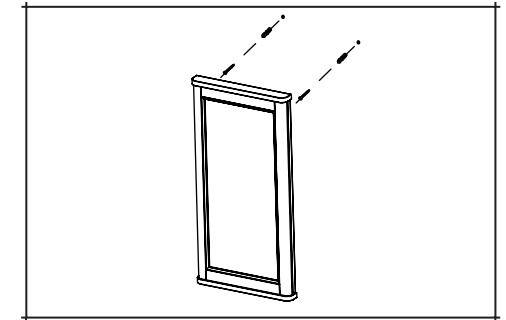


- The Neutral supply can be Blue or Black.
- The Earth supply is Green and Yellow.
- The Live supply cable can be Red or Brown.



Measure the distance A. Mark the 2 points on the wall, ensuring that they are level.
NOTE: Check there are no hidden pipes or cables behind the wall before drilling.

Proceed by drilling the marked holes. Insert the wall plugs.
NOTE: The wall plugs supplied are only suitable for solid walls. Insert the screws and ensure that the screw protrudes 5mm from the wall.



Before hanging the mirror make the electrical connection at the rear of the mirror. Carefully hang the mirror in place, locating the the frame onto the screws. Ensure the mirror is fully secured onto the mounting holes before letting go.

The mirror is operated via the mains.

